

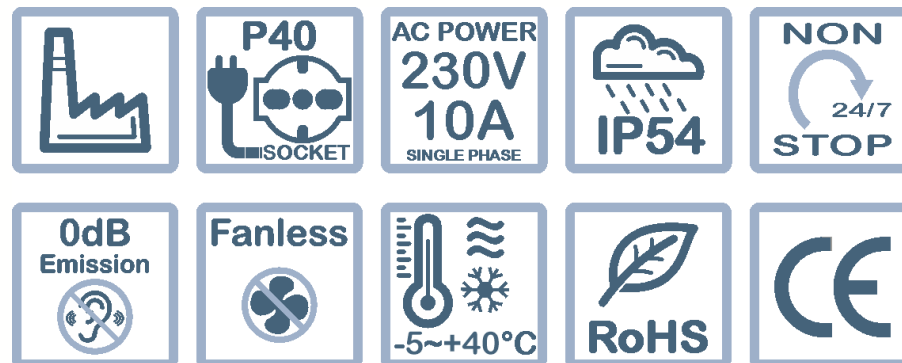


## E-Rider basic

e-Bike Charging station for outdoor



- ✓ Solid structure in painted steel for outdoor environments
- ✓ Compact and easy & customizable
- ✓ 4 delivery power socket
- ✓ Up to IP67 external socket
- ✓ Up to 10A of delivered power per socket
- ✓ Safety: RCCB with overcurrent protection





## Technical features

<b>Power delivery</b>	<b>Socket number</b>	4 (2 x each side)
	<b>Max allowed voltage</b>	230/240V AC
	<b>Max delivered current</b>	Up to 10A
	<b>Power distribution</b>	This charging station has not a balanced power control, so, each socket can be erogate the maximum allowed power that correspond to 10A. In any case, once the maximum deliverable power of 10A calculated on the total of the 4 sockets has been reached, the energy supply will be interrupted on the entire charging station.
<b>Socket option 1</b> (see ordering code)	<b>Socket type F</b>	Type F "Schuko socket 16A"
	<b>Socket protection degree</b>	IP66 (Only when completely closed) IP degree guaranteed only with 90° plug
<b>Socket option 2</b> (see ordering code)	<b>Socket type P40</b>	P17/11 "Italian socket 16/10A"
	<b>Socket protection degree</b>	Type F "Schuko socket 16A" IP67 (Only when completely closed) IP degree guaranteed with all plug (90°/Straight)
<b>Safety</b>	<b>Security device</b>	RCCB with overcurrent protection
	<b>Rated current</b>	10A
	<b>Rated voltage</b>	230/240V (EN/IEC 61009-1, 61009-2-1)
	<b>Rated residual op. current</b>	30mA
	<b>Curve</b>	C
	<b>Type</b>	AC
<b>Power connection</b>	<b>Connection to the power grid</b>	Fixed by internal terminal block
	<b>Rated voltage</b>	AC 230/240V (EN/IEC 61009-1, 61009-2-1)
	<b>Rated current</b>	10A
	<b>Phase</b>	Single phase
<b>Signaling</b> (see ordering code)	<b>Powered</b>	Blue lighted upper edge when the device is powered
<b>Mechanical features</b>	<b>Dimensions</b>	See next page
	<b>Color</b>	White RAL9003 Body (customizable on request) Black RAL9005 Base (customizable on request)
	<b>Labeling</b>	See optional KIT (customizable on request)
	<b>Weight</b>	Estimated in 50KG
	<b>Chassis main material</b>	INOX AISI 304
	<b>Protection degree</b>	Chassis: IP54 Socket: IP66/67 (see socket option)
	<b>Fastening methods</b>	Floor / Fixed installation To be evaluated based on the composition of the support surface
<b>Environment</b>	<b>Operating temp.</b>	From -5°C to +40°C
	<b>Non operating temp.</b>	From -20°C to +60°C
<b>Product Certification</b>	<b>Reference Marks</b>	CE, RoHS
	<b>Directive</b>	Built according to European Directive
<b>Company Certification</b>	<b>Reference standards</b>	UNI EN ISO 9001

<b>Ordering code</b>	<b>CNERIDER-01A-01</b>	E-Rider basic config., RAL9003
<b>Optional KIT</b>	<b>EKIT-ERIDER-OUT02-00</b>	Socket option 1: Kit 4 x IP66 Socket Type F (Shuko Type F) (Max 1pcs)
	<b>EKIT-ERIDER-OUT03-00</b>	Socket option 2: Kit 4 x IP67 Socket Type P40 (Shuko Type F + P17/11 Italian) (Max 1pcs & as in alternative to EKIT-ERIDER-OUT02-00)
	<b>EKIT-ERIDER-LED01-01</b>	Kit led blue upper edge
	<b>EKIT-ERIDER-LAB01-00</b>	Covering with Intercomp S.p.A graphic label (Max 1pcs)
	<b>EKIT-ERIDER-LABxx-00</b>	Covering with customer customized graphic label (To be agreed in advance with the sales representative) (Max 1pcs & as in alternative to EKIT-ERIDER-LAB01-00)
	<b>EKIT-ERIDER-BSE01-00</b>	Kit anchor bolt base
	<b>EKIT-ERIDER-RST01-00</b>	Bike slot - 2 bay

Doc ref. ZST-4292-0000081-03



Scan me

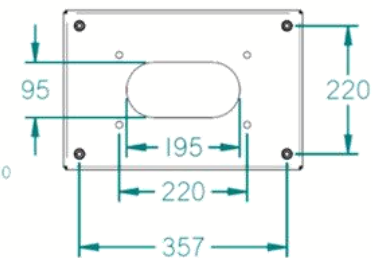
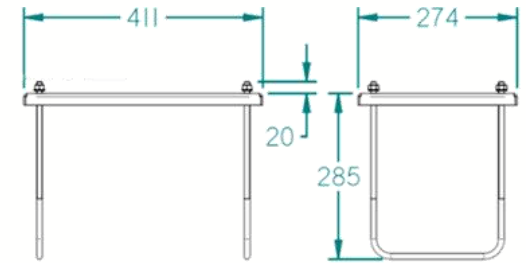
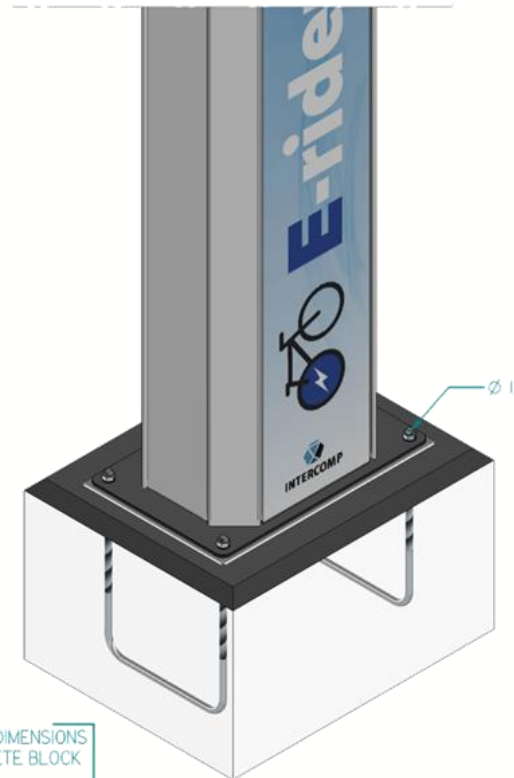
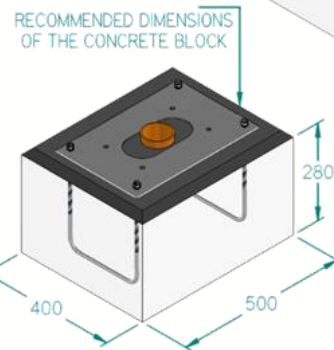
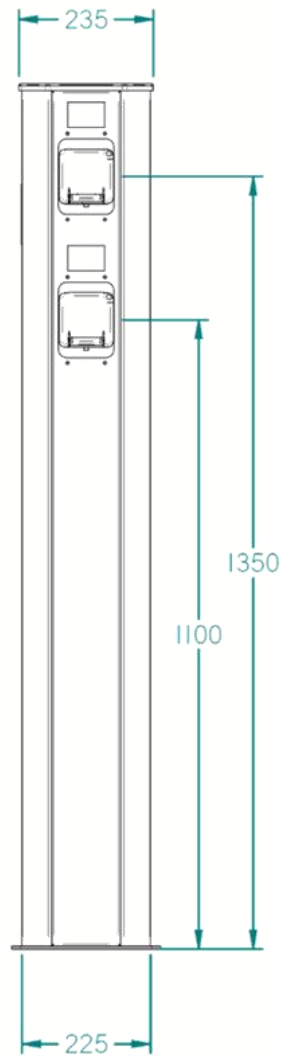
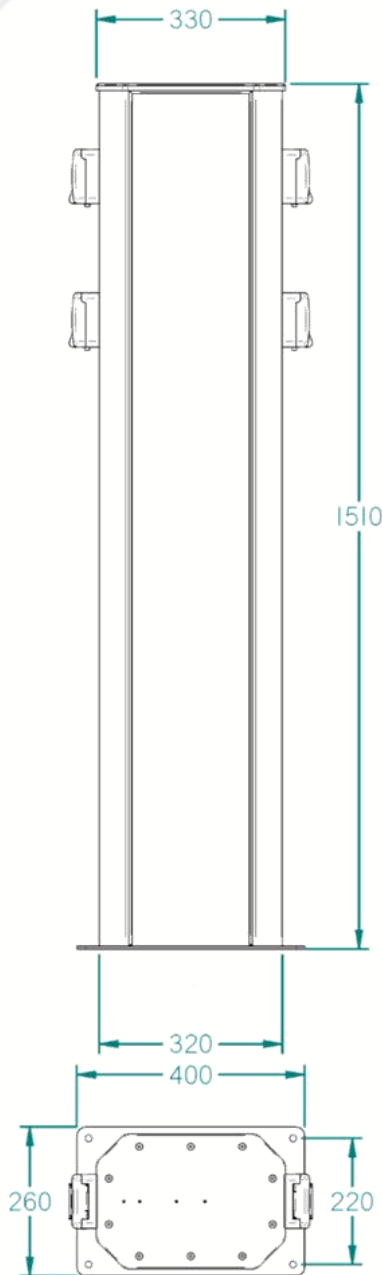


**Intercomp S.p.A.**  
Via della Scienza 27, 37139, Verona, Italia  
Tel +39 045-8378411 Fax +39 045-8510539  
[www.intercomp.it](http://www.intercomp.it) [intercomp@intercomp.it](mailto:intercomp@intercomp.it)

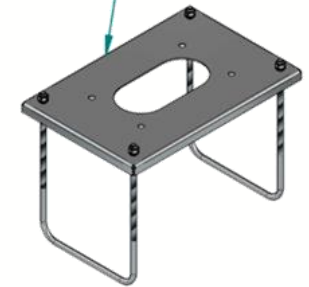
The product may differ from the images shown. All registered names and trademarks are legitimate owners. All features and specifications can be changed without prior notice.  
Last update 17/12/2021



**Mechanical features**



OPTIONAL  
PLATE FOR  
GROUND  
INSTALLATION  
EKIT-ERIDER-BSE01-00



All dimensions are expressed in millimeters (mm)

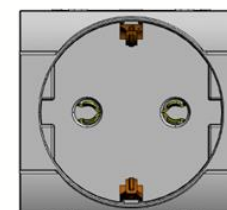
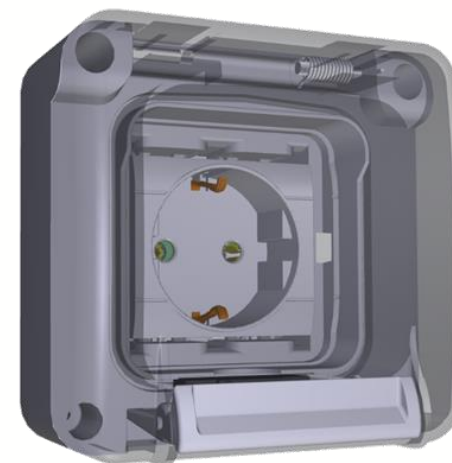


**Intercomp S.p.A.**  
Via della Scienza 27, 37139, Verona, Italia  
Tel +39 045-8378411 Fax +39 045-8510539  
[www.intercomp.it](http://www.intercomp.it) [intercomp@intercomp.it](mailto:intercomp@intercomp.it)

The product may differ from the images shown. All registered names and trademarks are legitimate owners. All features and specifications can be changed without prior notice.  
Last update 17/12/2021



## Product overview - Socket Type F (EKIT-ERIDER-OUT02-00)



Socket Type F  
(Shuko Type F)



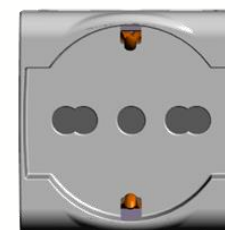
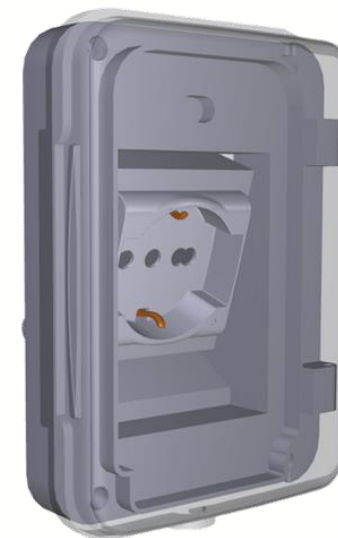
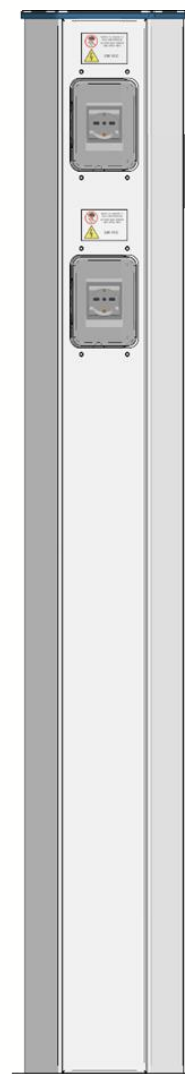
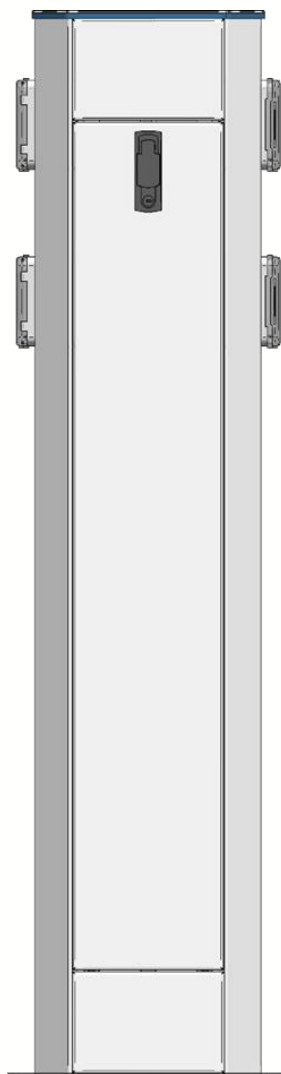
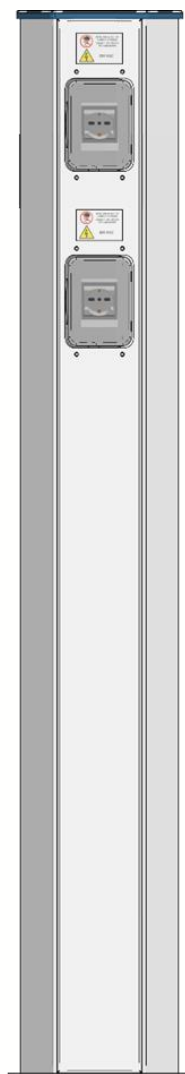
**Intercomp S.p.A.**  
Via della Scienza 27, 37139, Verona, Italia  
Tel +39 045-8378411 Fax +39 045-8510539  
[www.intercomp.it](http://www.intercomp.it) [intercomp@intercomp.it](mailto:intercomp@intercomp.it)

Scan me

The product may differ from the images shown. All registered names and trademarks are legitimate owners. All features and specifications can be changed without prior notice.  
Last update 17/12/2021



## Product overview - Socket Type P40 (EKIT-ERIDER-OUT03-00)



**Socket Type P40**  
(Shuko Type F + P17/11 Italian)



Scan me

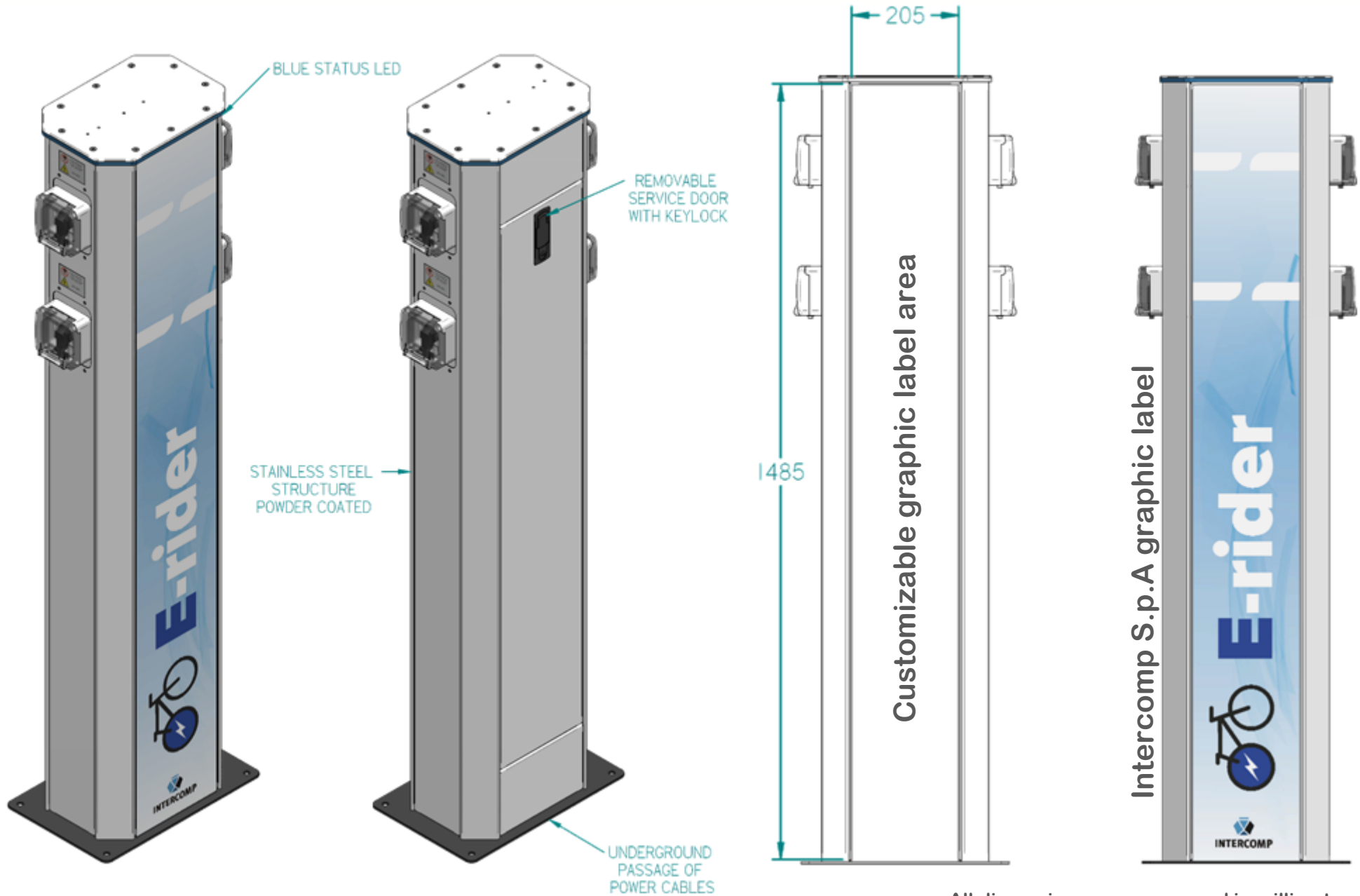


**Intercomp S.p.A.**  
Via della Scienza 27, 37139, Verona, Italia  
Tel +39 045-8378411 Fax +39 045-8510539  
[www.intercomp.it](http://www.intercomp.it) [intercomp@intercomp.it](mailto:intercomp@intercomp.it)

The product may differ from the images shown. All registered names and trademarks are legitimate owners. All features and specifications can be changed without prior notice.  
Last update 17/12/2021



Product overview



All dimensions are expressed in millimeters (mm)